

ಚಾಮುಂಡೇಶ್ವರಿ ವಿದ್ಯುತ್ ಸರಬರಾಜು
ನಿಗಮ ನಿಯಮಿತ
(ಕರ್ನಾಟಕ ಸರ್ಕಾರದ ಸ್ವಾಮ್ಯಕ್ಕೆ ಒಳಪಟ್ಟಿದೆ)
ನಿಗಮ ಕಾರ್ಯಾಲಯ,
ಚಾವಿನಿನಿ, ಮೈಸೂರು-570017
Telephone No:0821-2417107



CHAMUNDESHWARI ELECTRICITY
SUPPLY CORPORATION LIMITED
(A Government of Karnataka Undertaking)
Corporate Office,
CESC, Mysuru-570017
Web Site: www.cescmysore.org.
E-mail ID: gmttech@cescmysore.org

Company Identity Number[CIN]:- U40109KA2004SGC035177

Sub: Assignment of Feeder codes for 11kV inter ESCOM sharing feeder -reg.

Ref: Director (Technical) approval note Dated:

Preamble: Feeder Codes are being issued to all newly commissioned 11kV feeders from corporate office for the purpose of statistics, accounting total number of 11kV feeders catering power supply to the consumers of CESC jurisdiction and to declare DTC failures in DTLMS, where in feeder code is mandatory.

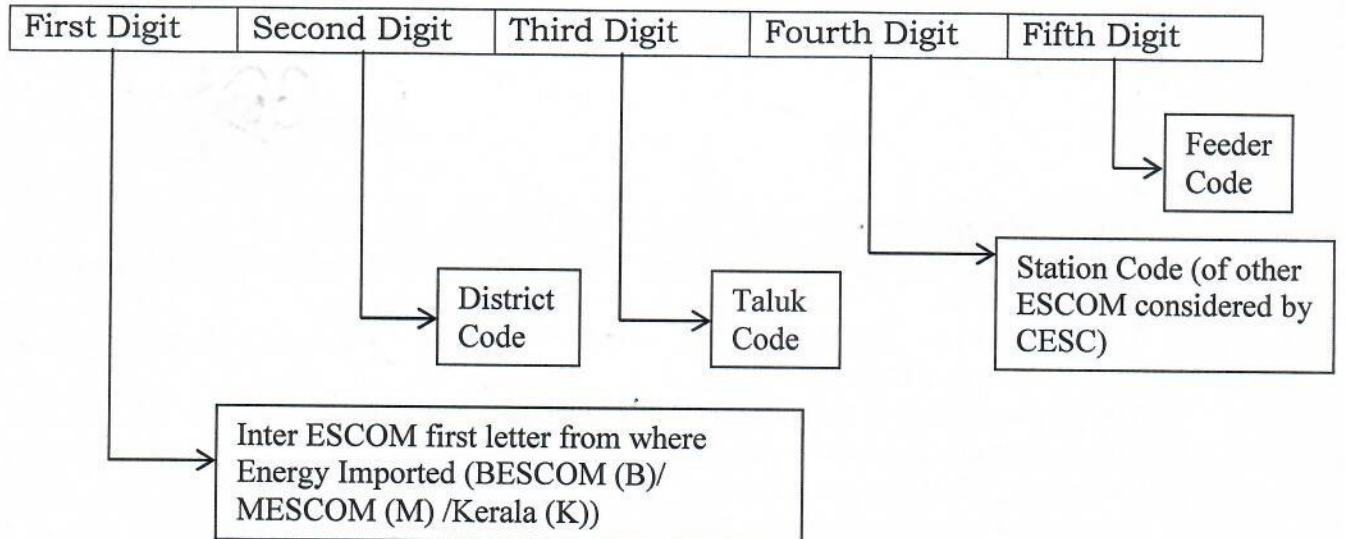
In continuation to the above, Energy is imported from BESCO, MESCOM and Kerala Electricity departments through 13 No's Inter ESCOM feeders at various boundary points and are not assigned with 11kV feeder codes. Hence this OM.

OFFICIAL MEMORANDUM

No: CESC/GMT/DGM (MIS)/AEE-1/M/ 2022-23/ *cys-973*

Date: 20 SEP 2022

Feeder codes are assigned to the 11kV Inter ESCOM sharing feeders considering the ESCOM from which the energy is being imported, district & taluk for which the energy is been catered and the station from which the 11kV feeder is emanating from.



The details of Inter ESCOM sharing feeders along with feeder codes are outlined below:

SL. NO	SHARING ESCOM	District	Taluk	STATION	FEEDER	FEEDER CODE
1	BESCOM	Mandya	Maddur	Igglur	Maddur	B3211
2	BESCOM	Mandya	Maddur	Igglur	Lift Irrigation	B3212
3	BESCOM	Mandya	Maddur	Igglur	Chandupura	B3213
4	BESCOM	Mandya	Maddur	Igglur	Mudeenahalli	B3214
5	BESCOM	Mandya	Maddur	Igglur	Kulumedoddi	B3215
6	MESCOM	Madikeri	Madikeri	Gadikallu	Sampaje	M5111
7	MESCOM	Madikeri	Madikeri	Koornadka	Kolcharu	M5112
8	KERALA	Madikeri	Madikeri	Kariker	Kariker	K5111
9	KERALA	Madikeri	Virajpete	Maakutta	Maakutta	K5211
10	MESCOM	Hassan	Arasikere	Singatagere	Devaralli	M4611
11	MESCOM	Hassan	Arasikere	Panchanahalli	D.M.Kurke	M4621
12	MESCOM	Hassan	Arasikere	Singatagere	Shettihalli	M4612
13	MESCOM	Hassan	Sakaleshpura	Kalasapura	Kalasapura	M4411

The same shall be updated in the TRM/ DTLMS and Urja-Mitra software data base of respective O&M division/subdivision/section and same may be intimated to all the concerned field officers of CESC. Further, Scheduled and Un-Scheduled interruptions of any feeder should be hosted in the Urja- Mitra Portal for prior intimation to the consumer.


General Manager (Tech)
CESC, Mysuru.

Copy to:

1. The Chief Engineer (Ele) O&M Zone, CESC, Mysuru/Hassan.
2. The Superintending Engineer (Ele), O&M Circle, Chamarajanagara-Kodagu/ Mandya/ Hassan, CESC.
3. The Executive Engineer (Ele), O&M Division, Maddur/ Madikeri/ Arasikere/ Sakaleshpura, CESC.
4. The Deputy General Manager (DSM), corporate office, CESC, Mysore.
5. The Assistant Executive Engineer (Ele), Maddur-1/ Maddur-2/ Madikeri/ Virajpete/ Banavara/ Sakaleshpura, CESC.
6. Assistant Executive Engineer (Ele), DCC, CESC, Kuvempunagar, Mysore.
7. M/s Idea Infinity IT Solutions Pvt. Ltd, #218, 5th floor, JP Royale, Sampige road, Malleshwaram, Bangalore-560003 to update in DTLMS Software.
8. PS to MD/TA to DT to place before Hon'ble Managing Director and Director (Technical)